

Tumble dryer

T5675

Features and benefits

- Axial airflow and tight construction gives low energy consumption
- High productivity - 2 full loads per hour
- Large door opening for easy loading and unloading
- Easy and ergonomic access to the lint screen
- Excellent water evaporation efficiency per kWh
- The coin version with Ecopower to avoid over drying of the garments and get a lower energy consumption
- With Compass Pro program control
 - Large and clear display with control knob for easy program selection
 - Easy access with user-friendly interface
 - Language selection
 - Drying program packages optimized for Economy, Care and Time
 - Service program for adjustment of parameters
 - USB connection

Main options

- Stainless steel front
- Stainless steel drum
- Residual Moisture Control - RMC
- Connection to booking- /payment- system or coin meter
- Reversing drum
- Emergency stop button
- Supply disconnecter

Accessories

- Fresh air intake
- Insert for drying special equipment
- Exhaust on top

Note! Top evacuation is not available on steam heated tumble dryers



Images shown are a representation of the product only and variations may occur.

Main specifications		T5675			
Rated capacity, filling factor 1:18	kg/lb	37.5/82.7			
	filling factor 1:22	30.6/67.5			
Drum volume	litre	675			
Drum diameter	mm	913			
Heating alternatives	electric	32.0/40.0			
	gas	14 3400 (42)			
	steam at 600-700 kPa	46			
Consumption data*		32.0 kW	40.0 kW	Gas	Steam
Total time at 30.6 kg	min	28	23	23	22
Energy consumption at 30.6 kg	kWh	15.10	15.08	16.42	19.27
Evaporation	g/min	544	676	653	700
Energy kWh/litre water evaporated	kWh/l	0.98	0.98	1.07	1.26

* At rated capacity 100% cotton load at 50% initial moisture dried to 0%.

Produced according to ISO 9001 and ISO 14001.

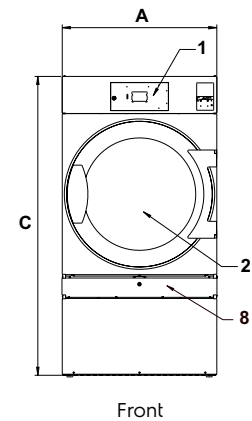
Certified with CB certificate for Low Voltage Directive and S-mark according to the Machinery Directive. Protection class IP X4D.

Electrical connections					
Heating alternative	Main voltage		Heating power kW	Total power kW	Recommended fuse A
		Hz			
Electric heated	220-240V 3 ~	50/60	32.0/40.0	34.4/42.4	100/125
	380-415V 3 ~	50/60	32.0/40.0	34.5/42.5	50/63
	400V 3 ~	50/60	24.0	26.5	50
Gas heated / Steam heated	220-240V 1 ~	50/60	-	2.0	10
	220-240V 3 ~	50/60	-	2.4	10
	380-480V 3 ~	50/60	-	2.5	10

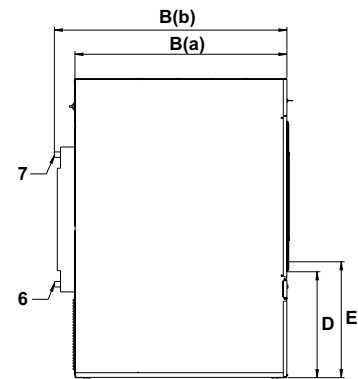
Steam, gas and air connections			T5675
Steam		ISO 7/1-R	1"
Steam pressure		kPa	100-1000
Steam consumption		kg/h	65
Condensate		ISO 7/1-R	1"
Gas	NG/PG	ISO 7/1-R	1/2"
Gas pressure	Natural gas	Pa	2000
	Propane	mbar	20
		Pa	2800-3700
		mbar	28-37
Air outlet		Ø mm	200
Maximum air flow:			
	Electric 50 Hz / 60 Hz	m ³ /h	1140 / 1140
	Gas 50 Hz / 60 Hz	m ³ /h	1140 / 1140
	Steam 50 Hz / 60 Hz	m ³ /h	1380 / 1380
Maximum static back pressure:			
	Electric 50 Hz / 60 Hz	Pa	270 / 800
	Gas 50 Hz / 60 Hz	Pa	410 / 800
	Steam 50 Hz / 60 Hz	Pa	900 / 1100
Sound levels			
Sound power/pressure level at drying*			
		dB(A)	74/57
Heat emission			
% of installed power, max			15
Shipping data**			
Shipping volume		net, kg	283
		crated, m ³	3.25
Dimensions in mm			
A	Width		961
B(a)	Depth		1560
B(b)	Depth		1640
C	Height		1857
D			660
E			720
F			170
G			1490
H			200
I			180
J			1560
K			50
L			480
M			580
N			805
1 Control panel			
2 Door opening Ø 810 mm			
3 Electrical connection			
4 Gas connection			
5 Exhaust connection			
6 Condensate connection			
7 Steam connection			
8 Lint screen			

* Sound power levels measured according to ISO 60704.

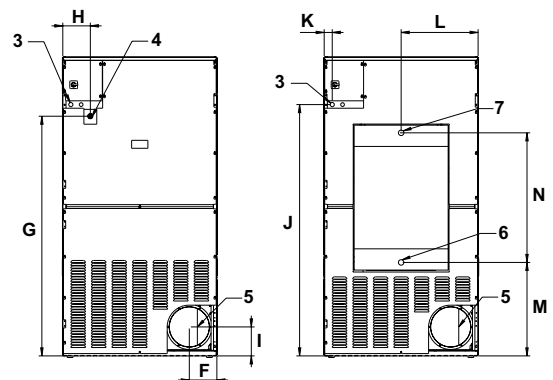
** Average data. Crated weight/shipping volume depends on configuration. Please contact logistics for exact measures.



Front



Left side



El, gas

Steam

Rear side