

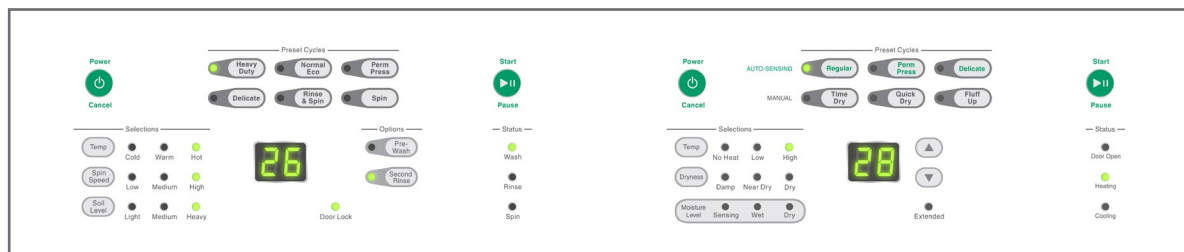
SPEED QUEEN ON-PREMISES LAUNDRY

FRONT CONTROL LTEE5ASP175TW01, LTEE5ASP155TW01, LTGE5ASP115TW01 STACK WASHER/DRYER

Stack Washer/Dryers

Our stack washer/dryers are designed as vertical combinations that provide all of the power of Speed Queen® washers and dryers while occupying only half of the floor space of a conventional washer and dryer setup. Plus, these stacked units allow you to utilize the same connections and hook-ups required by a standard washer and dryer, so you won't have to make changes to your installation.

- ENERGY STAR® Qualified to use less energy, save money and help protect the environment.
- Water use is trimmed to 13.9 gallons per cycle to reduce operating costs.



Washer Control

Dryer Control

Electronic Homestyle

Speed Queen® washers and dryers with Electronic Homestyle controls are designed for durability and are easy to operate with intuitive selection buttons and cycle status indicator lights. This control option features a time-remaining display, six preset cycle buttons, cycle adjustability for temperature and load size, soils levels along with additional cycle enhancer options for a pre-wash or second rinse cycle.

SPECIFICATIONS

STACK WASHER/DRYER

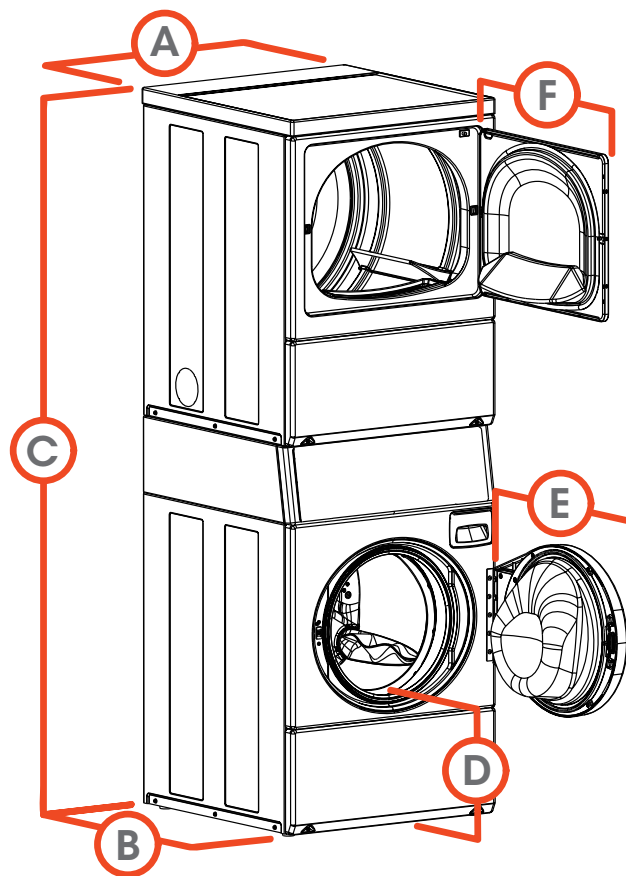
MODEL	LTEE5ASP175TW01, LTEE5ASP155TW01, LTGE5ASP115TW01	
CONTROL OPTION	Electronic Homestyle	
CONTROL LOCATION	Front	
CAPACITY - lb (kg)	Washer	21.5 (10)
	Dryer	18 (8.2)
CYLINDER VOLUME - cu. ft. (liters)	Washer	3.42 (96.8)
	Dryer	7.0 (198)
OVERALL WIDTH - in (mm)	26.875 (683)	
OVERALL DEPTH - in (mm)	27.73 (704)	
OVERALL HEIGHT - in (mm)	78.5 (1994)	
SPIN SPEED G-FORCE -RPM	440 (1200)	
MOTOR POWER CONSUMPTION - hp (kw)	Washer	0.9 (0.67)
	Dryer	Variable Speed 0.33 (0.25)
WATER CONSUMPTION PER CYCLE -g (l)	13.68 (51.8)	
IWF (Water Factor)	4.0 (0.53)	
IMEF (Modified Energy Factor)	2.20 (62.3)	
AVAILABLE HEAT SOURCES	Gas or Electric	
AVAILABLE HEATING ELEMENT (Electric W)	5350 @ 240V	
GAS INLET CONNECTION - in (mm)	3/8 (9.5)	
GAS CONSUMPTION - BTU/Hr	22,500	
EXHAUST OUTLET DIA. - in (mm)	4 (102)	
EXHAUST AIRFLOW - cfm (liters/sec)	220 (105)	
AVAILABLE WATER TEMPERATURES	3	
*AVAILABLE CYCLES	Washer	Heavy Duty, Normal Eco, Perm Press, Delicate, Rinse & Spin, Spin Only
	Dryer	Regular, Perm Press, Delicate, Time Dry, Quick Dry, Fluff Up
WATER PRESSURE -PSI (Bar)	20-120 (1.4/8.3)	
CYCLE INDICATOR LIGHTS	Yes	
CYLINDER FINISH	Washer	Stainless Steel
	Dryer	Galvanized
AVAILABLE COLORS	White	
DOOR TYPE (Solid/Window)	Window	
AVAILABLE ELECTRICAL REQUIREMENTS - Voltage/Hz/Ph - Circuit Amperage	Washer	120/60/1 - 15
	Electric	120/240/60/1 -30
	Gas	120/60/1 - 15
SHIPPING DIMENSIONS APPROX. - in (mm)	Width	30 (762)
	Depth	34 (864)
	Height	80 (2032)
NET WEIGHT - lb (kg)	350 (159)	
SHIPPING WEIGHT - lb (kg)	380 (172)	
AGENCY APPROVALS	Electric	cULus
	Gas	cCSAus

ADA Compliant - Lower Unit

Note: Not all options are available for all models. Refer to the price list for the available models and options.

* Information shown applies to highest end control available.

For the most accurate information, the installation guide should be used for all design and construction purposes. Due to continuous product improvements, design and specifications subject to change without notice. The quality management system of Alliance Laundry Systems' Ripon facility has been registered to ISO 9001:2008.



A.	OVERALL WIDTH - in (mm)	26.875 (683)
B.	OVERALL DEPTH - in (mm)	27.73 (704)
C.	OVERALL HEIGHT - in (mm)	78.5 (1994)
D.	FLOOR TO DOOR OPENING - in (mm)	14.5 (368)
E.	WASHER DOOR SWING - in (mm)	24 (610)
F.	DRYER DOOR SWING - in (mm)	23.5 (597)