

AD-464 Models

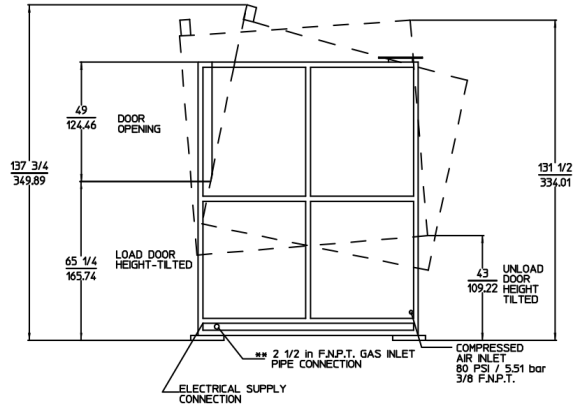
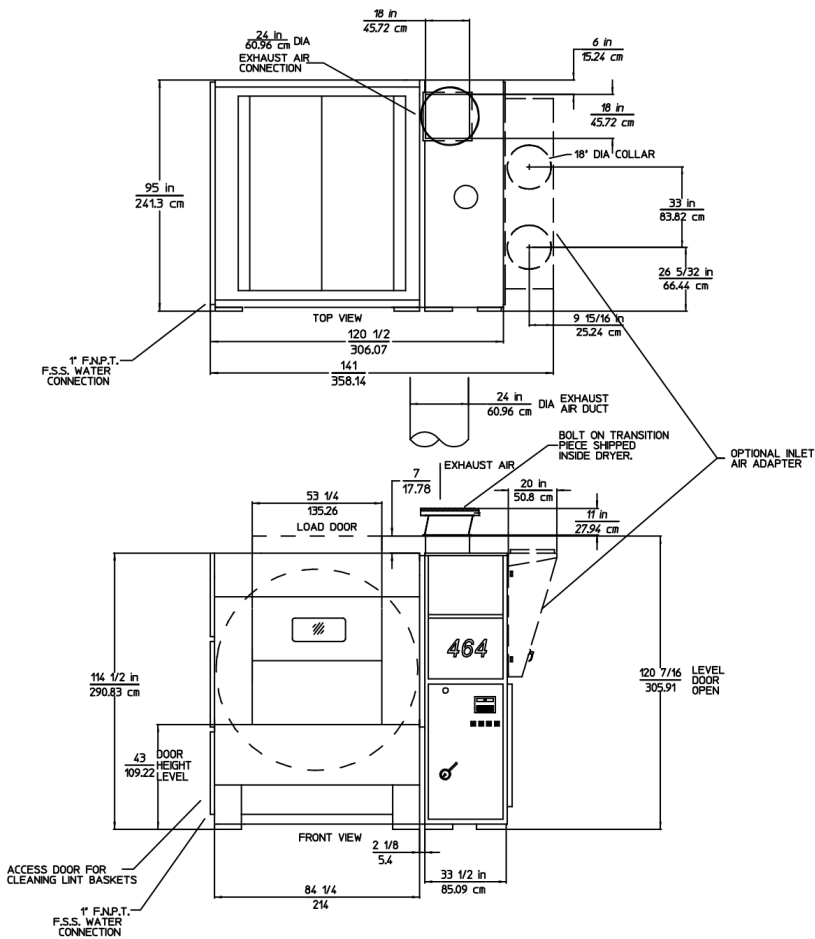
AD-464		
MAXIMUM CAPACITY (DRY WEIGHT)	460 lb	208.65 kg
MINIMUM LOAD SIZE	250 lb	113.40 kg
TUMBLER DIAMETER	69-1/8"	175.59 cm
TUMBLER DEPTH	80-5/16"	203.99 cm
TUMBLER VOLUME	175 cu ft	4955.44 L
DOOR OPENING (WIDTH X HEIGHT)	53-1/4" x 49"	135.26 cm x 124.46 cm
DOOR SILL HEIGHT, LEVEL	45"	114.30 cm
DOOR SILL HEIGHT, REAR TILT	43-3/4"	111.13 cm
DOOR SILL HEIGHT, FRONT TILT	65-5/8"	166.70 cm
CABINET OPERATING DEPTH, LEVEL (1-DOOR/2-DOOR)	95" / 95"	241.30 cm / 241.30 cm
CABINET WIDTH	122"	309.88 cm
REAR TILT		15°
FRONT TILT		15°
WATER CONNECTION		1" F.N.P.T.
CABINET REAR-TILT HEIGHT	138-1/4"	351.16 cm
CABINET OPERATING HEIGHT, LEVEL	121"	307.34 cm
CABINET FULL-TILT DEPTH	118"	299.72 cm
APPROX. NET WEIGHT	10,270 lb	4,658.39 kg
APPROX. SHIPPING WEIGHT	10,425 lb	4,728.70 kg
VOLTAGE AVAILABLE	208-480v 3ø	3,4w 50/60 Hz
TUMBLER/DRIVE MOTOR	7-1/2 hp	5.59 kW
BLOWER/FAN MOTOR	25 hp	18.64 kW
BURNER BLOWER MOTOR	1-1/2 hp	1.12 kW
BURNER TYPE		On / Off
HEAT INPUT	2,800,000 Btu/hr	705,588 kcal/hr
INLET PIPE CONNECTION (NON-TILT/TILT)		2-1/2" F.N.P.T.
MAXIMUM GAS PRESSURE	12 in WC	29.89 mb
AIRFLOW	13,000 cfm	368.12 cmm
MAXIMUM EXHAUST BACK PRESSURE	1.25 in WC	3.11 mb
EXHAUST DIAMETER	24"	60.96 cm
COMPRESSED AIR PRESSURE	80 psi (± 10 psi)	5.52 bar (± 0.69 bar)
COMPRESSED AIR VOLUME (1-WAY/2-WAY TILT)	15 cfh / 19 cfh	0.42 cmh / 0.54 cmh
COMPRESSED AIR CONNECTION (NON-TILT/TILT)		3/8" F.N.P.T.
CABINET REAR-TILT HEIGHT	138-1/4"	351.16 cm
CABINET OPERATING HEIGHT, LEVEL	121"	307.34 cm
CABINET FULL-TILT DEPTH	118"	299.72 cm
APPROX. NET WEIGHT	11,000 lb	4,989.52 kg
APPROX. SHIPPING WEIGHT	11,162 lb	5,063 kg
VOLTAGE AVAILABLE	208-480v 3ø	3,4w 50/60 Hz
TUMBLER/DRIVE MOTOR	7-1/2 hp	5.59 kW
BLOWER/FAN MOTOR	25 hp	18.64 kW
BOILER HORSEPOWER (NORMAL LOAD)		60 Bhp
SUPPLY CONNECTION		2-1/2" F.N.P.T.
RETURN CONNECTION (NON-TILT/TILT)		1-1/4" F.N.P.T.
STEAM CONSUMPTION	2,071 lb/hr	939.39 kg/hr
AIRFLOW	13,000 cfm	368.12 cmm
MAXIMUM EXHAUST BACK PRESSURE	1.25 in WC	3.11 mb
EXHAUST DIAMETER	24"	60.96 cm
COMPRESSED AIR PRESSURE	80 psi (± 10 psi)	5.52 bar (± 0.69 bar)
COMPRESSED AIR VOLUME (1-WAY/2-WAY TILT)	16 cfh / 20 cfh	0.45 cmh / 0.57 cmh
COMPRESSED AIR CONNECTION (NON-TILT/TILT)		3/8" F.N.P.T.

Shaded areas are stated in metric equivalents

GAS - All-Door / All-Tilt - Electrical Service Specifications							
IMPORTANT: 208 VAC and 230/240 VAC are not the same. When ordering, specify voltage.							
NOTES: A. Circuit breakers are thermal/magnetic (Industrial) motor curve type ONLY . For others, calculate/verify correct breaker size according to appliance amp draw rating and type of breaker to be used. B. Circuit breakers for 3ø dryers must be 3-pole type.							
Voltage	Phase	Wire Service	Hz	Total Current	Circuit Breaker	Fuse	Wire Size
208	3	3/4	60	111	150	150	1/0
220	3	3	60	107	150	150	1/0
240	3	3	60	105	150	150	1/0
460	3	3	60	56	70	70	3
480	3	3	60	56	70	70	3
230	3	3	50	113	150	150	1/0
380	3	3/4	50	62	80	80	3
400	3	3/4	50	59	80	80	3
416	3	3/4	50	61	80	80	3

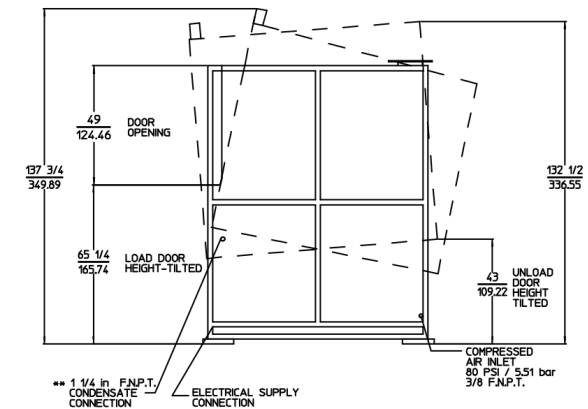
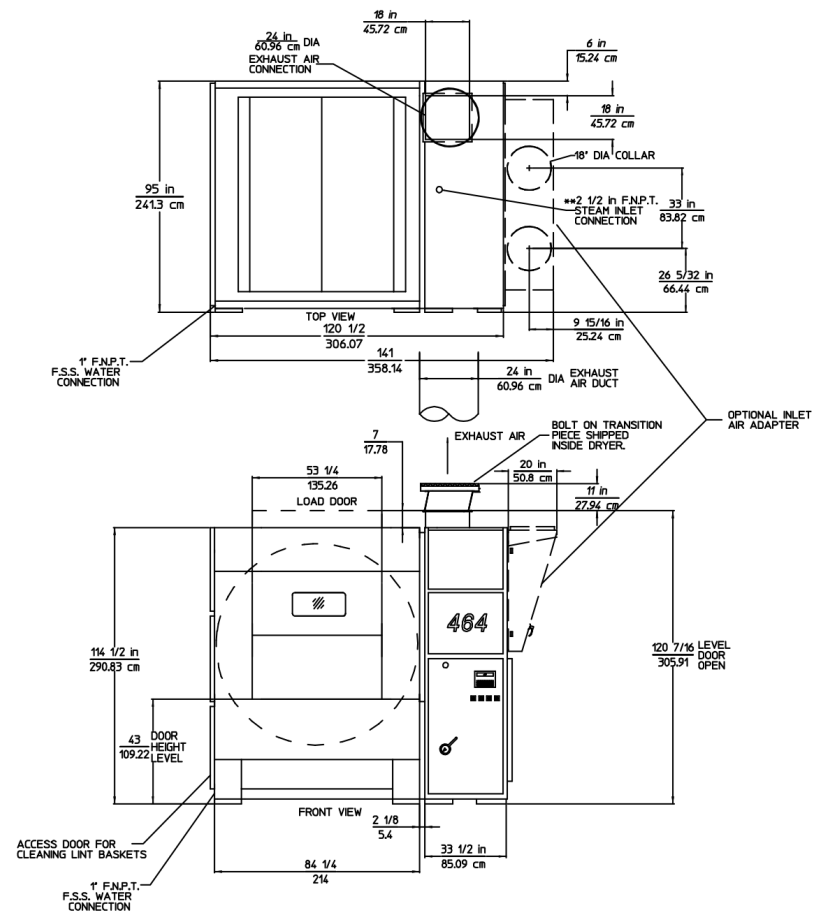
STEAM - All-Door / All-Tilt - Electrical Service Specifications							
IMPORTANT: 208 VAC and 230/240 VAC are not the same. When ordering, specify voltage.							
NOTES: A. Circuit breakers are thermal/magnetic (Industrial) motor curve type ONLY . For others, calculate/verify correct breaker size according to appliance amp draw rating and type of breaker to be used. B. Circuit breakers for 3ø dryers must be 3-pole type.							
Voltage	Phase	Wire Service	Hz	Total Current	Circuit Breaker	Fuse	Wire Size
208	3	3/4	60	106	150	150	1/0
240	3	3	60	100	150	150	1/0
460	3	3	60	53	70	70	4
480	3	3	60	53	70	70	4
230	3	3	50	107	150	150	1/0
380	3	3/4	50	60	80	80	3
400	3	3/4	50	57	80	80	3
416	3	3/4	50	58	80	80	3





*DUCTWORK MUST BE A MINIMUM OF 24" DIAMETER (60.96 cm).
 DUCTWORK SIZE VARIES WITH INSTALLATION CONDITIONS.

** SIZE OF PIPING TO DRYER VARIES WITH INSTALLATION CONDITIONS.
 CONTACT FACTORY FOR ASSISTANCE.



*DUCTWORK MUST BE A MINIMUM OF 24" DIAMETER (60.96 cm).
 DUCTWORK SIZE VARIES WITH INSTALLATION CONDITIONS.

** SIZE OF PIPING TO DRYER VARIES WITH INSTALLATION CONDITIONS.
 CONTACT FACTORY FOR ASSISTANCE.