

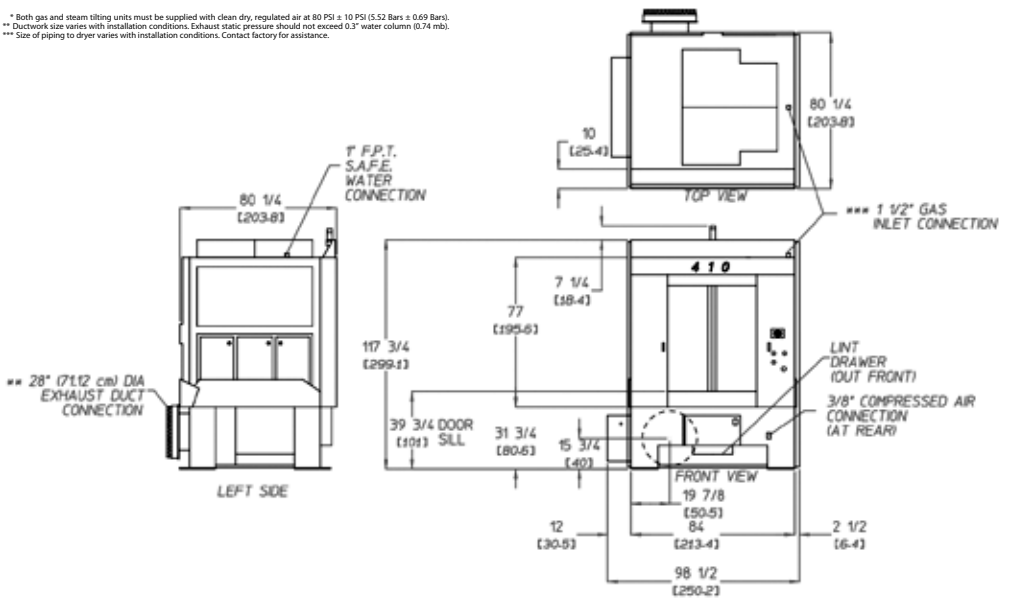
AD-410 Models

AD-410			
MAXIMUM CAPACITY (DRY WEIGHT)	410 lb	185.97 kg	
TUMBLER DIAMETER	68-3/4"	174.63 cm	
TUMBLER DEPTH	66-3/8"	168.61 cm	
TUMBLER VOLUME	143 cu ft	4049.309 L	
TUMBLER/DRIVE MOTOR	7-1/2 hp	5.59 kW	
BLOWER/FAN MOTOR (GAS/STEAM)	15 hp / 25 hp	11.2 kW / 18.7 kW	
DOOR OPENING	38" w x 50" h	96.52 cm x 127 cm	
DOOR SILL HEIGHT	39-3/4"	100.97 cm	
WATER CONNECTION	1" F.N.P.T.		
DRYERS PER 20'/40' CONTAINER	1 / 3		
DRYERS PER 48'/53' TRUCK	3 / 4		
VOLTAGE AVAILABLE	208-575v	3ø	3,4w 50/60 Hz
APPROX. NET WEIGHT	6,300 lb	2,857.63 kg	
APPROX. SHIPPING WEIGHT	6,800 lb	3,084.43 kg	
AIRFLOW	9,200 cfm	260.52 cmm	
HEAT INPUT	1,400,000 Btu/hr	352,794 kcal/hr	
EXHAUST CONNECTION (DIAMETER)	28"	71.12 cm	
COMPRESSED AIR CONNECTION	3/8" F.N.P.T.		
COMPRESSED AIR VOLUME (1-WAY / 2-WAY)	5-1/2 cfh / 7 cfh	0.16 cmh / 0.2 cmh	
INLET PIPE CONNECTION	1-1/2" F.N.P.T.		
VOLTAGE AVAILABLE	N / A		
APPROX. NET WEIGHT	N / A		
APPROX. SHIPPING WEIGHT	N / A		
AIRFLOW	N / A		
EXHAUST CONNECTION (DIAMETER)	N / A		
COMPRESSED AIR CONNECTION	N / A		
COMPRESSED AIR VOLUME (1-WAY/2-WAY)	N / A		
OVEN SIZE	N / A		
kW	Btu/hr	kcal/hr	
VOLTAGE AVAILABLE	208-575v	3ø	3,4w 50/60 Hz
APPROX. NET WEIGHT	6,800 lb	3,084.43 kg	
APPROX. SHIPPING WEIGHT	7,300 lb	3,311.22 kg	
AIRFLOW	10,300 cfm	291.66 cmm	
STEAM CONSUMPTION	1,257 lb/hr	570.17 kg/hr	
OPERATING STEAM PRESSURE	125 psi max	8.62 bar	
EXHAUST CONNECTION (DIAMETER)	28"	71.12 cm	
COMPRESSED AIR CONNECTION	3/8" F.N.P.T.		
COMPRESSED AIR VOLUME (1-WAY / 2-WAY)	5-1/2 cfh / 7 cfh	0.16 cmh / 0.2 cmh	
BOILER HORSEPOWER (NORMAL LOAD)	42 Bhp		
SUPPLY CONNECTION	2" M.N.P.T.		
RETURN CONNECTION	1-1/4" M.N.P.T.		

Shaded areas are stated in metric equivalents.

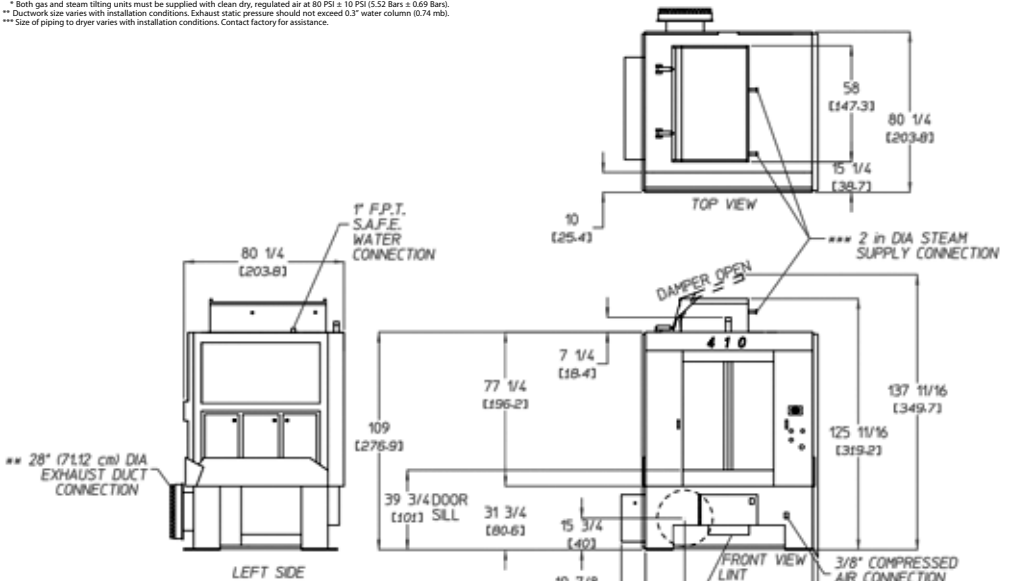
AD-410 NON-TILT* 1-DOOR GAS MODEL

* Both gas and steam tilting units must be supplied with clean dry, regulated air at 80 PSI ± 10 PSI (5.52 Bars ± 0.69 Bar).
 ** Ductwork size varies with installation conditions. Exhaust static pressure should not exceed 0.3" water column (0.74 mb).
 *** Size of piping to dryer varies with installation conditions. Contact factory for assistance.



AD-410 NON-TILT* 1-DOOR STEAM MODEL

* Both gas and steam tilting units must be supplied with clean dry, regulated air at 80 PSI ± 10 PSI (5.52 Bars ± 0.69 Bar).
 ** Ductwork size varies with installation conditions. Exhaust static pressure should not exceed 0.3" water column (0.74 mb).
 *** Size of piping to dryer varies with installation conditions. Contact factory for assistance.



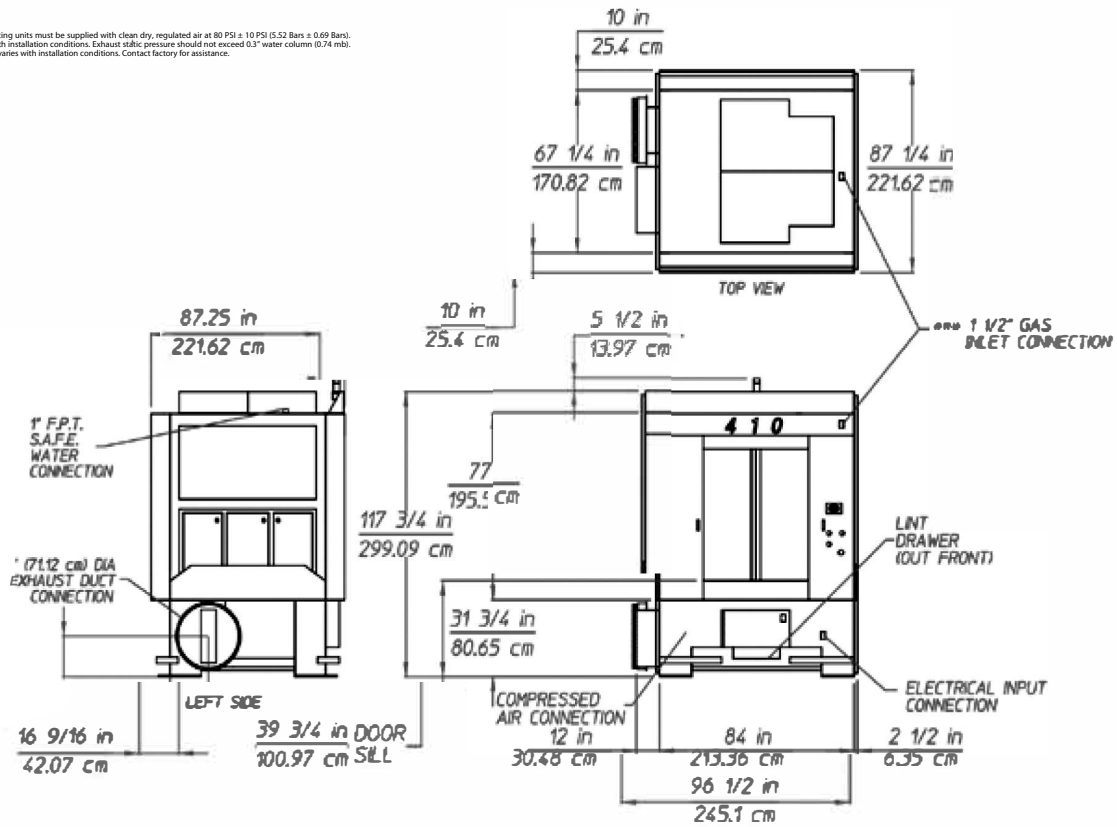
Gas, 1-Door, All-Tilt, *Rear Exhaust* - Electrical Service Specifications							
IMPORTANT: 208 VAC and 230/240 VAC are not the same. When ordering, specify voltage.							
NOTES: A. Circuit breakers are thermal/magnetic (industrial) motor curve type ONLY. For others, calculate/verify correct breaker size according to appliance amp draw rating and type of breaker to be used. B. Circuit breakers for 3ø dryers must be 3-pole type.							
Voltage	Phase	Wire Service	Hz	Total Current	Circuit Breaker	Fuse	Wire Size
208	3	3/4	60	70	100	100	3
220	3	3	60	68	100	100	3
240	3	3	60	66	90	90	3
230	3	3	60	66	90	90	3
460	3	3	60	34	60	60	6
480	3	3	60	34	60	60	6
575	3	3	60	27	45	45	8
230	3	3	50	75	100	100	3
380	3	3/4	50	39	60	60	6
400	3	3/4	50	37	60	60	6
416	3	3/4	50	37	60	60	6

Steam, All-Door, All-Tilt, *Side Exhaust* - Electrical Service Specifications							
IMPORTANT: 208 VAC and 230/240 VAC are not the same. When ordering, specify voltage.							
NOTES: A. Circuit breakers are thermal/magnetic (industrial) motor curve type ONLY. For others, calculate/verify correct breaker size according to appliance amp draw rating and type of breaker to be used. B. Circuit breakers for 3ø dryers must be 3-pole type.							
Voltage	Phase	Wire Service	Hz	Total Current	Circuit Breaker	Fuse	Wire Size
208	3	3/4	60	103	150	150	1/0
230	3	3	60	95	150	150	1/0
240	3	3	60	88	125	125	-
380	3	3	60	60	80	80	-
460	3	3	60	48	70	70	4
480	3	3	60	48	70	70	4
575	3	3	60	38	60	60	6
230	3	3	50	98	150	150	1/0
380	3	3/4	50	54	80	80	4
400	3	3/4	50	54	80	80	4
416	3	3/4	50	53	80	80	4



AD-410* 2-DOOR GAS MODEL

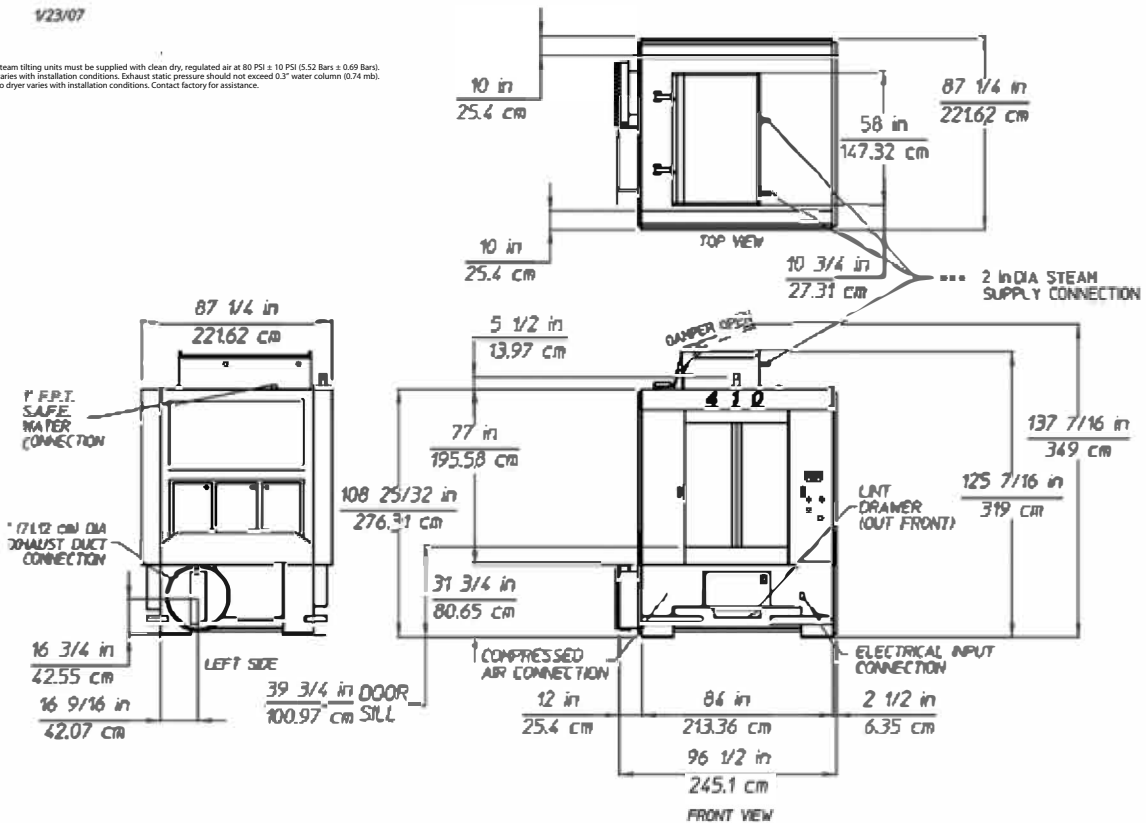
* Both gas and steam tilting units must be supplied with clean dry, regulated air at 80 PSI ± 10 PSI (5.52 Bars ± 0.69 Bars).
 ** Ductwork size varies with installation conditions. Exhaust static pressure should not exceed 0.3" water column (0.74 mb).
 *** Size of piping to dryer varies with installation conditions. Contact factory for assistance.



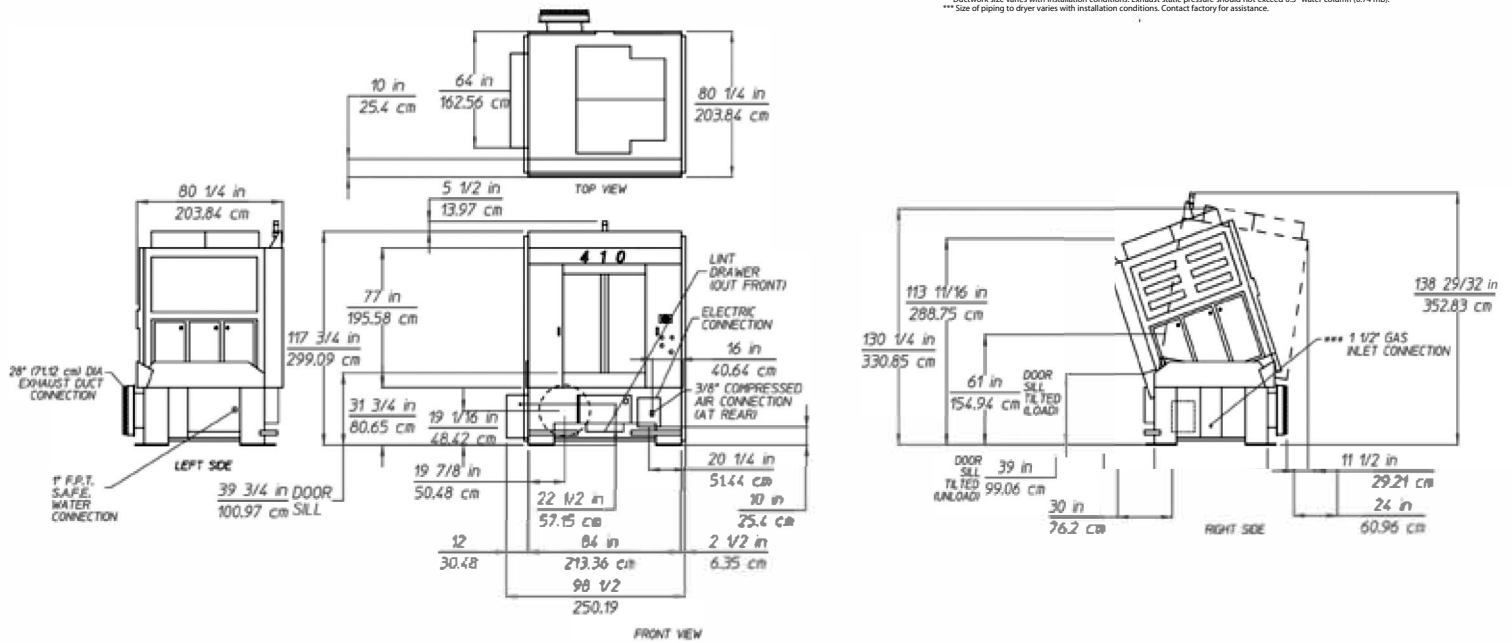
AD-410* 2-DOOR STEAM MODEL

1/23/07

* Both gas and steam tilting units must be supplied with clean dry, regulated air at 80 PSI ± 10 PSI (5.52 Bars ± 0.69 Bars).
 ** Ductwork size varies with installation conditions. Exhaust static pressure should not exceed 0.3" water column (0.74 mb).
 *** Size of piping to dryer varies with installation conditions. Contact factory for assistance.

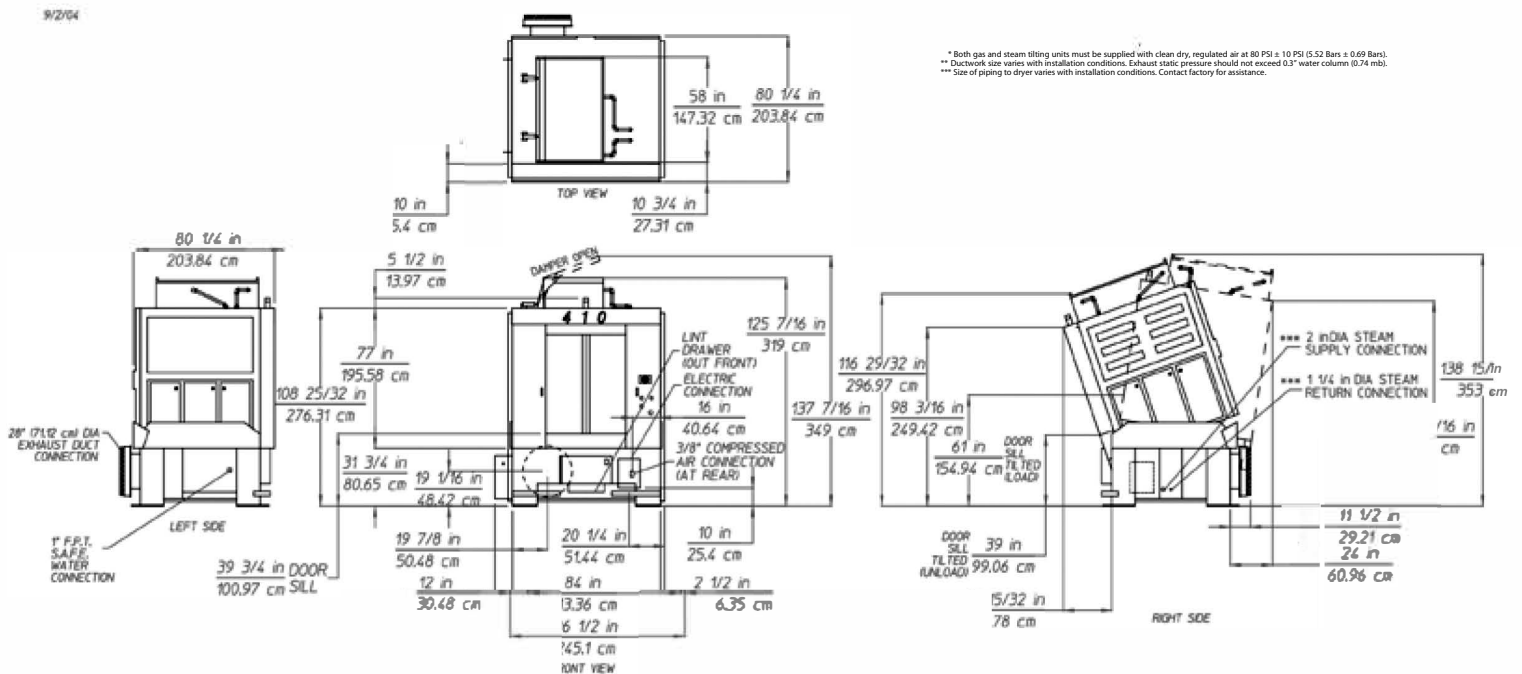


AD-410 TILTING* 1-DOOR/2-WAY TILT GAS MODEL



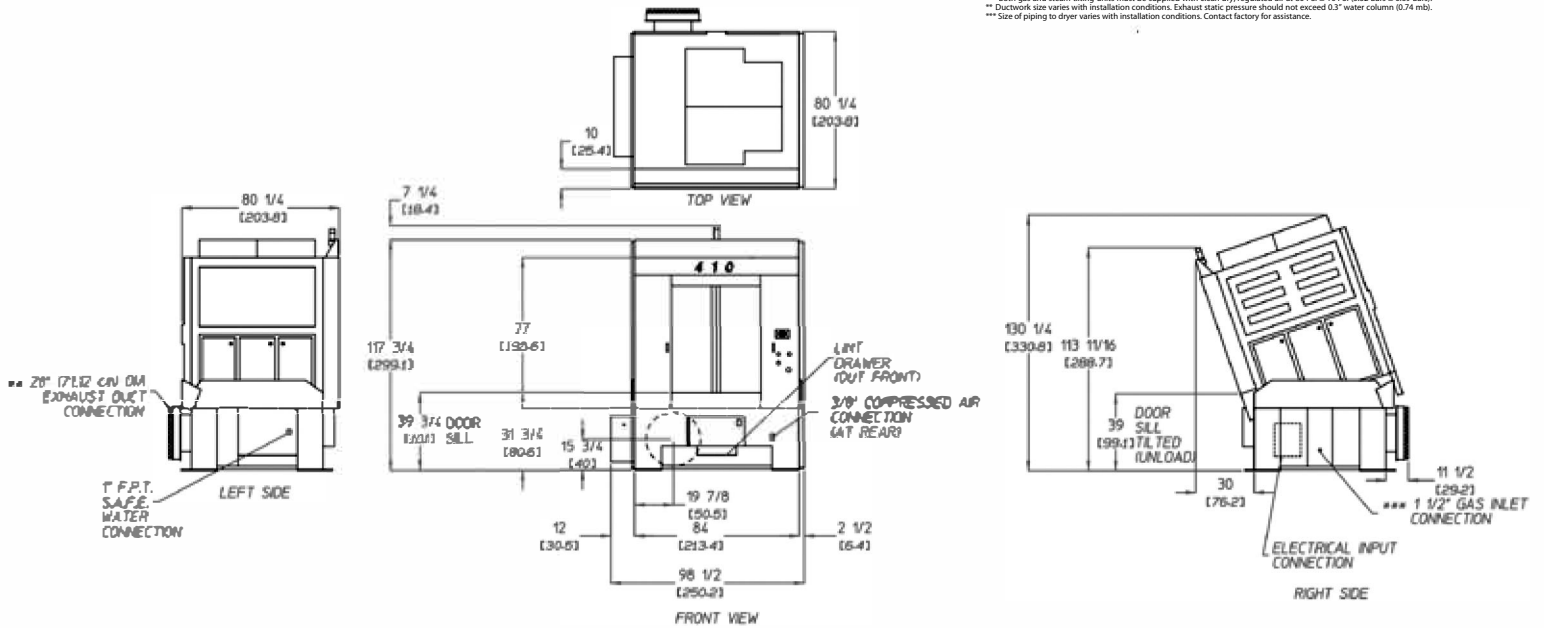
* Both gas and steam tilting units must be supplied with clean dry, regulated air at 80 PSI ± 10 PSI (5.52 Bars ± 0.69 Bars).
 ** Ductwork size varies with installation conditions. Exhaust static pressure should not exceed 0.3" water column (0.74 mb).
 *** Size of piping to dryer varies with installation conditions. Contact factory for assistance.

AD-410 TILTING* 1-DOOR/2-WAY TILT STEAM MODEL



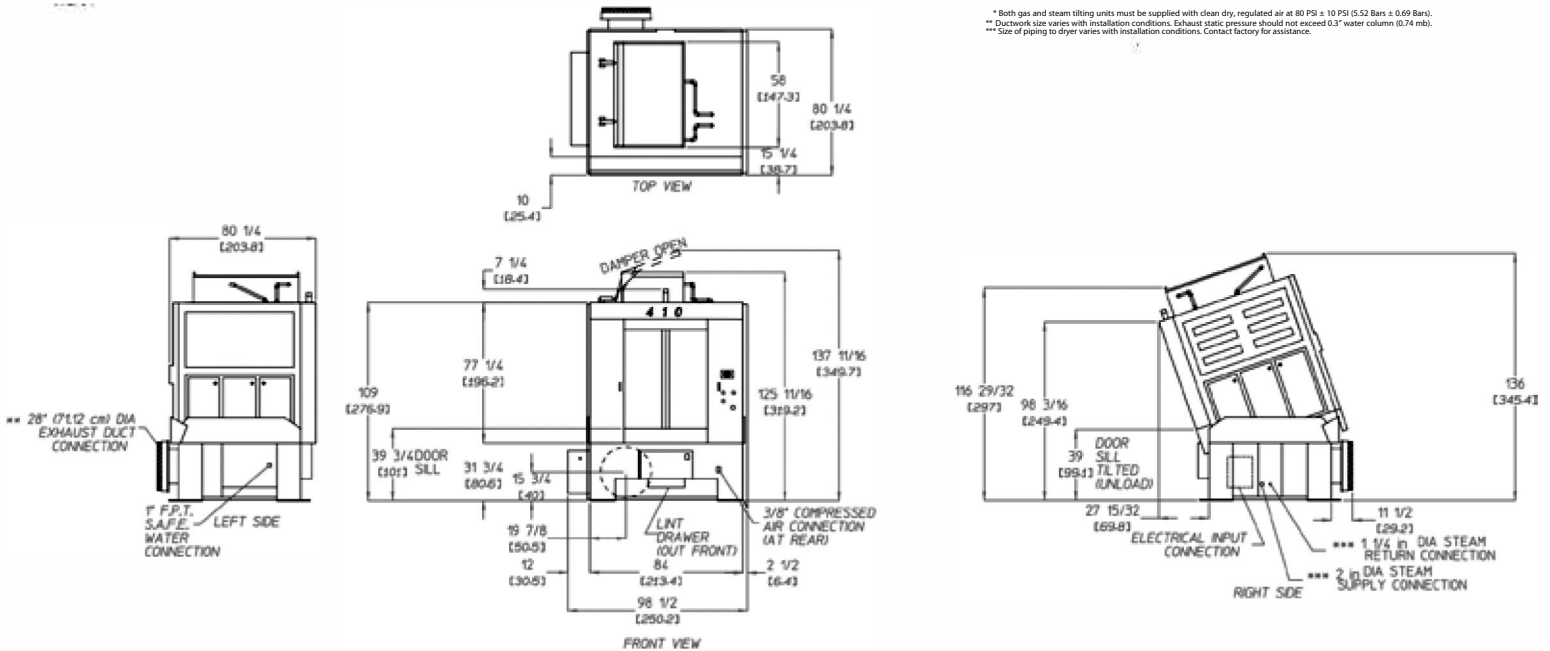
* Both gas and steam tilting units must be supplied with clean dry, regulated air at 80 PSI ± 10 PSI (5.52 Bars ± 0.69 Bars).
 ** Ductwork size varies with installation conditions. Exhaust static pressure should not exceed 0.3" water column (0.74 mb).
 *** Size of piping to dryer varies with installation conditions. Contact factory for assistance.

AD-410 TILTING* 1-DOOR/FORWARD-TILT GAS MODEL



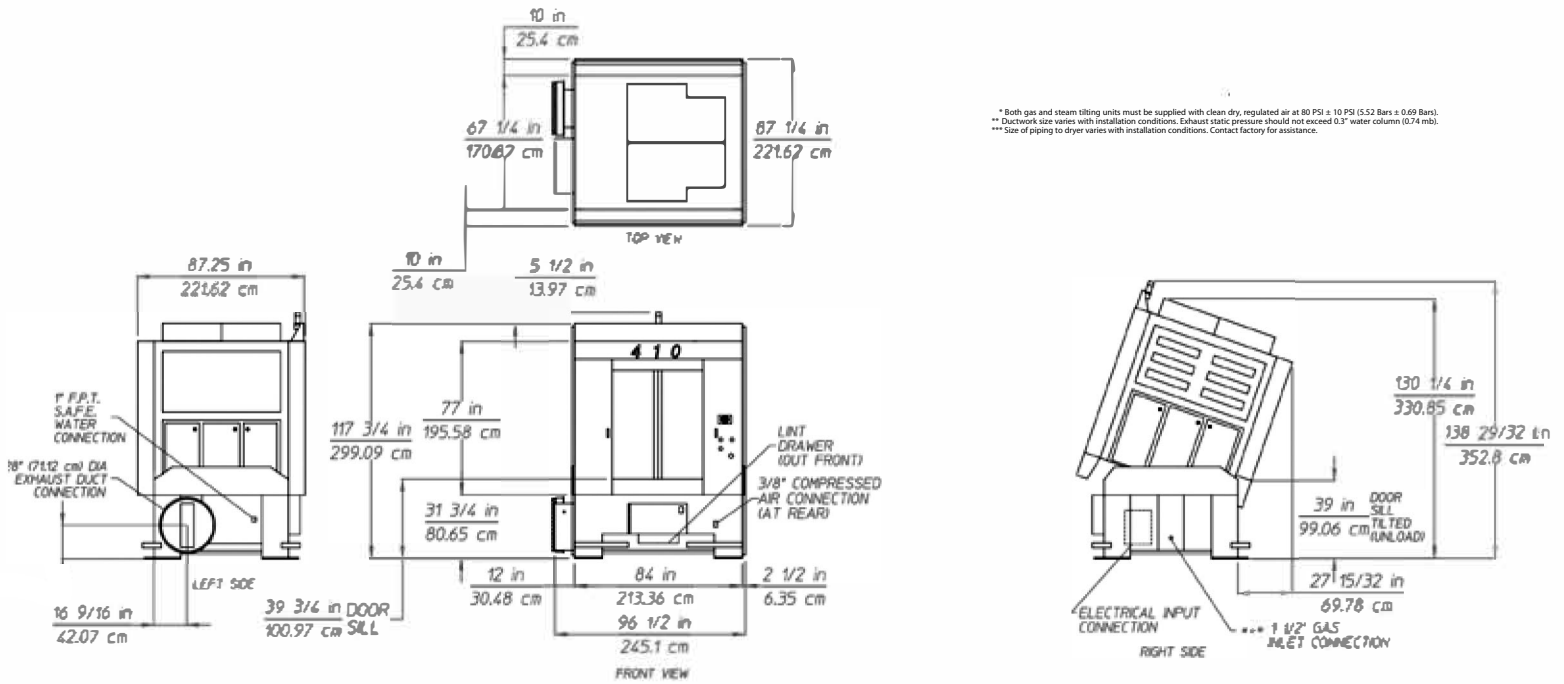
* Both gas and steam tilting units must be supplied with clean dry, regulated air at 80 PSI ± 10 PSI (5.52 Bars ± 0.69 Bars).
 ** Ductwork size varies with installation conditions. Exhaust static pressure should not exceed 0.3" water column (0.74 mb).
 *** Size of piping to dryer varies with installation conditions. Contact factory for assistance.

AD-410 TILTING* 1-DOOR/FORWARD-TILT STEAM MODEL



* Both gas and steam tilting units must be supplied with clean dry, regulated air at 80 PSI ± 10 PSI (5.52 Bars ± 0.69 Bars).
 ** Ductwork size varies with installation conditions. Exhaust static pressure should not exceed 0.3" water column (0.74 mb).
 *** Size of piping to dryer varies with installation conditions. Contact factory for assistance.

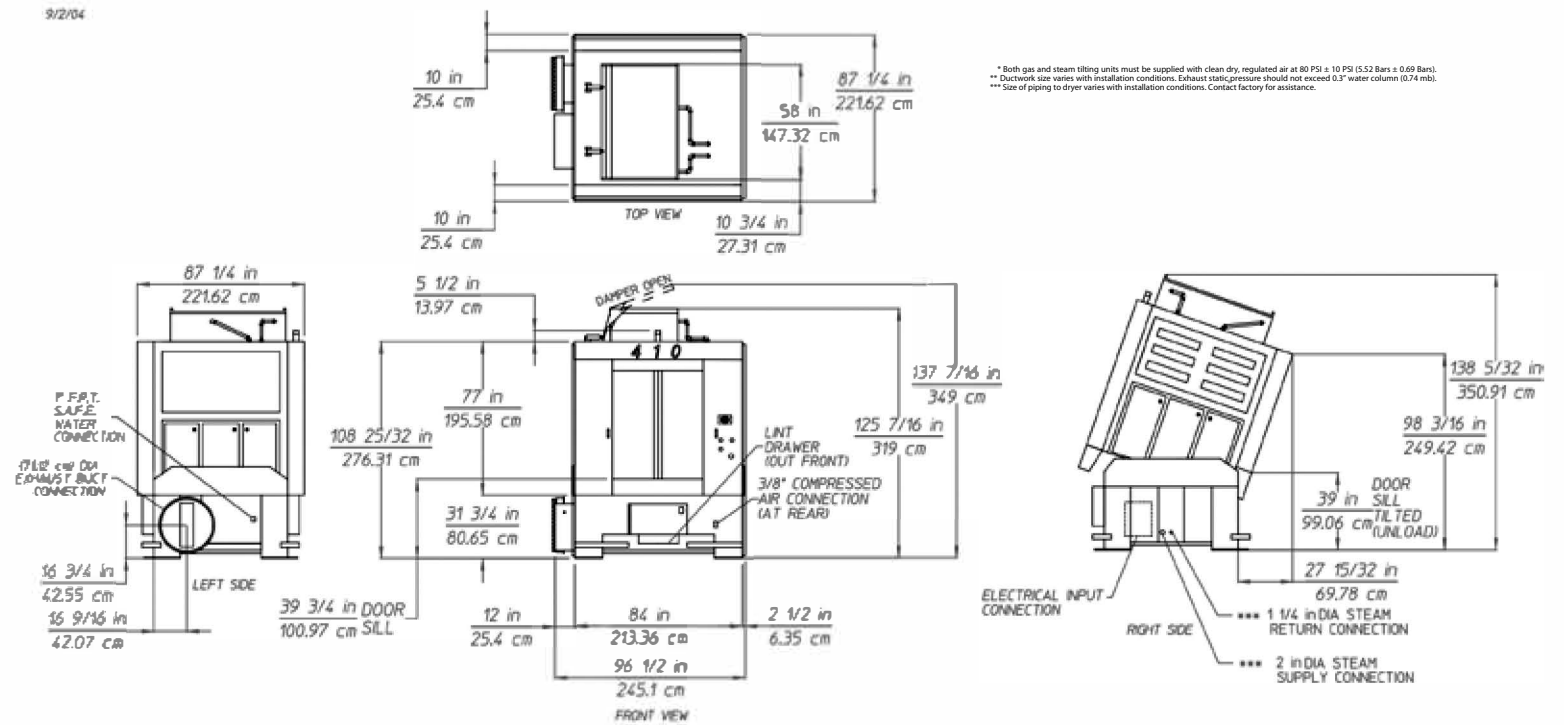
AD-410 TILTING* 2-DOOR/REAR-TILT GAS MODEL



* Both gas and steam tilting units must be supplied with clean dry, regulated air at 80 PSI ± 10 PSI (5.52 Bars ± 0.69 Bars).
 ** Ductwork size varies with installation conditions. Exhaust static pressure should not exceed 0.3" water column (0.74 mb).
 *** Size of piping to dryer varies with installation conditions. Contact factory for assistance.

AD-410 TILTING* 2-DOOR/REAR-TILT GAS MODEL

9/2/04



* Both gas and steam tilting units must be supplied with clean dry, regulated air at 80 PSI ± 10 PSI (5.52 Bars ± 0.69 Bars).
 ** Ductwork size varies with installation conditions. Exhaust static pressure should not exceed 0.3" water column (0.74 mb).
 *** Size of piping to dryer varies with installation conditions. Contact factory for assistance.