

# AD-310 Models

AD-310		
MAXIMUM CAPACITY (DRY WEIGHT)	310 lb	140.61 kg
MINIMUM LOAD SIZE	205 lb	92.99 kg
TUMBLER DIAMETER	62-1/2"	158.75 cm
TUMBLER DEPTH	60"	152.40 cm
TUMBLER VOLUME	106.50 cu ft	3,015.744 L
DOOR OPENING (WIDTH X HEIGHT)	36-3/4" x 43"	93.35 cm x 109.22 cm
DOOR SILL HEIGHT, LEVEL	36-1/2"	92.71 cm
DOOR SILL HEIGHT, REAR-TILT	53"	134.62 cm
DOOR SILL HEIGHT, FRONT-TILT	33-1/2"	85.09 cm
CABINET OPERATING DEPTH, LEVEL (1 DOOR/2 DOOR)	72-3/4" / 78"	184.79 cm / 198.12 cm
CABINET WIDTH	82-1/2"	209.55 cm
REAR-TILT	15°	
FRONT-TILT	15°	
WATER CONNECTION	3/4" F.N.P.T.	
CABINET REAR-TILT HEIGHT	122-7/16"	310.99 cm
CABINET OPERATING HEIGHT, LEVEL	114-1/4"	290.20 cm
CABINET FULL-TILT DEPTH	116-7/16"	295.75 cm
APPROX. NET WEIGHT	5,000 lb	2,267.96 kg
APPROX. SHIPPING WEIGHT	5,310 lb	2,408.58 kg
VOLTAGE AVAILABLE	208-575v 3ø	3,4w 50/60 Hz
TUMBLER/DRIVE MOTOR	5 hp	3.73 kW
BLOWER/FAN MOTOR (REAR/SIDE EXHAUST)	15 hp / 25 hp	11.19 kW / 18.64 kW
BURNER BLOWER MOTOR	N / A	
BURNER TYPE	On / Off	
HEAT INPUT	1,125,000 Btu/hr	283,495 kcal/hr
INLET PIPE CONNECTION (NON-TILT/TILT)	(2) 1-1/2" M.N.P.T. / 1-1/2" M.N.P.T.	
MAXIMUM GAS PRESSURE	12 in WC	29.89 mb
AIRFLOW	6,500 cfm	184.06 cmm
MAXIMUM EXHAUST BACK PRESSURE	0.3 in WC	0.75 mb
EXHAUST DIAMETER	24"	60.96 cm
COMPRESSED AIR PRESSURE	80 psi (± 10 psi)	5.52 bar (± 0.69 bar)
COMPRESSED AIR VOLUME (1-WAY/2-WAY TILT)	11 cfh / 11 cfh	0.31 cmh / 0.31 cmh
COMPRESSED AIR CONNECTION (NON-TILT/TILT)	3/8" F.N.P.T. / 3/8" Quick Connection	
CABINET REAR-TILT HEIGHT	127-1/2"	323.85 cm
CABINET OPERATING HEIGHT, LEVEL	126-1/2"	321.31 cm
CABINET FULL-TILT DEPTH	113-7/16"	288.13 cm
APPROX. NET WEIGHT	5,425 lb	2,460.74 kg
APPROX. SHIPPING WEIGHT	5,735 lb	2,601.35 kg
VOLTAGE AVAILABLE	208-575v 3ø	3,4w 50/60 Hz
TUMBLER/DRIVE MOTOR	5 hp	3.73 kW
BLOWER/FAN MOTOR	25 hp	18.64 kW
BOILER HORSEPOWER (NORMAL LOAD)	35 Bhp	
SUPPLY CONNECTION	2" M.N.P.T.	
RETURN CONNECTION (NON-TILT/TILT)	2" M.N.P.T. / 1-1/4" M.N.P.T.	
STEAM CONSUMPTION	1,153 lb/hr	522.99 kg/hr
AIRFLOW	8,500 cfm	240.69 cmm
MAXIMUM EXHAUST BACK PRESSURE	0.3 in WC	0.75 mb
EXHAUST DIAMETER	24"	60.96 cm
COMPRESSED AIR PRESSURE	80 psi (± 10 psi)	5.52 bar (± 0.69 bar)
COMPRESSED AIR VOLUME (1-WAY/2-WAY TILT)	11 cfh / 11 cfh	0.31 cmh / 0.31 cmh
COMPRESSED AIR CONNECTION (NON-TILT/TILT)	3/8" F.N.P.T. / 3/8" Quick Connection	

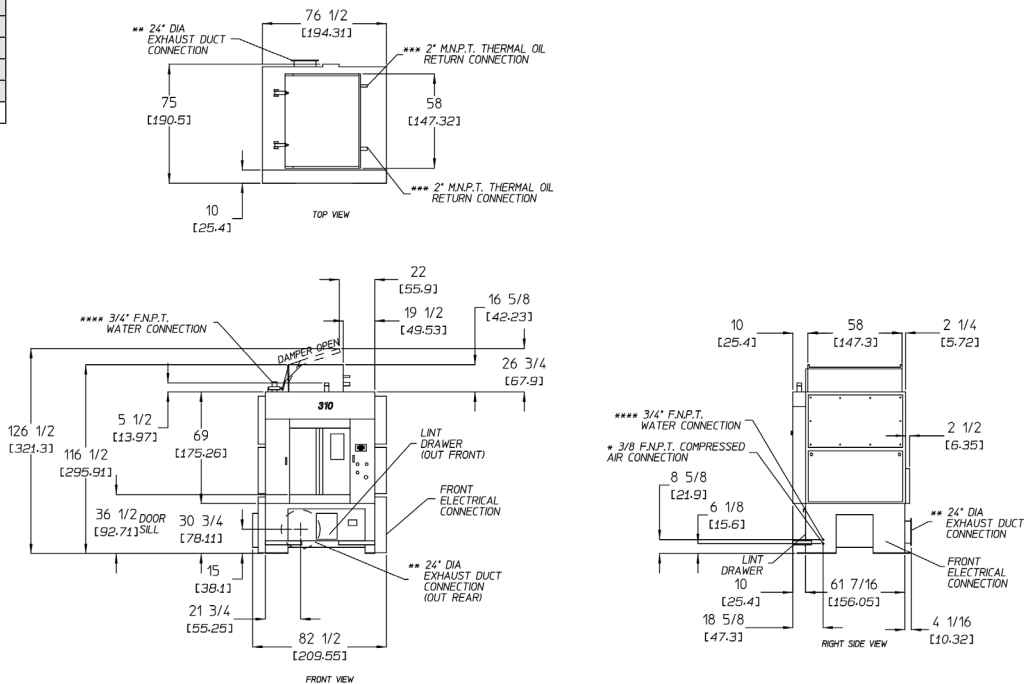
Shaded areas are stated in metric equivalents.

Gas, 1-Door, All-Tilt, *Rear Exhaust* - Electrical Service Specifications							
<b>IMPORTANT:</b> 208 VAC and 230/240 VAC are not the same. When ordering, specify voltage.							
<b>NOTES:</b> A. Circuit breakers are thermal/magnetic (industrial) motor curve type ONLY. For others, calculate/verify correct breaker size according to appliance amp draw rating and type of breaker to be used. B. Circuit breakers for 3ø dryers must be 3-pole type.							
Voltage	Phase	Wire Service	Hz	Total Current	Circuit Breaker	Fuse	Wire Size
208	3	3/4	60	61.2	90	90	3
220	3	3	60	58.6	90	90	3
240	3	3	60	56.5	90	90	3
230	3	3	60	69.0	90	90	3
380	3	3/4	60	36.6	60	60	6
460	3	3	60	29.1	50	50	8
480	3	3	60	29.6	50	50	8
575	3	3	60	23.2	40	40	8
230	3	3	50	67.4	90	90	3
380	3	3/4	50	35.0	60	60	6
400	3	3/4	50	33.9	60	60	6
416	3	3/4	50	33.2	50	50	8

Gas, All-Door, All-Tilt, *Side Exhaust* - Electrical Service Specifications							
<b>IMPORTANT:</b> 208 VAC and 230/240 VAC are not the same. When ordering, specify voltage.							
<b>NOTES:</b> A. Circuit breakers are thermal/magnetic (industrial) motor curve type ONLY. For others, calculate/verify correct breaker size according to appliance amp draw rating and type of breaker to be used. B. Circuit breakers for 3ø dryers must be 3-pole type.							
Voltage	Phase	Wire Service	Hz	Total Current	Circuit Breaker	Fuse	Wire Size
208	3	3/4	60	94.0	125	125	1
220	3	3	60	85.5	125	125	-
240	3	3	60	85.3	110	110	2
460	3	3	60	44.8	70	70	4
480	3	3	60	43.4	70	70	4
575	3	3	60	38.0	60	60	6
230	3	3	50	108.8	150	150	1/0
380	3	3/4	50	50.4	80	80	4
400	3	3/4	50	51.0	80	80	4
416	3	3/4	50	48.6	70	70	4

## AD-310\* NON-TILT THERMAL OIL WITH DAMPER

\* UNIT MUST BE SUPPLIED WITH CLEAN, DRY, REGULATED AIR AT 80 PSI +/- 10 PSI (5.52 BAR +/- 0.62 BAR)  
 \*\* DUCTWORK SIZE VARIES WITH INSTALLATION CONDITIONS. EXHAUST STATIC PRESSURE SHOULD NOT EXCEED 0.3" WATER COLUMN (0.74 mb).  
 \*\*\* SIZE OF PIPING TO DRYER VARIES WITH INSTALLATION CONDITIONS. CONTACT FACTORY FOR ASSISTANCE.  
 \*\*\*\* THE FIRE SUPPRESSION SYSTEM MUST BE SUPPLIED WITH WATER AT A PRESSURE OF 40 PSI MIN/100 PSI MAX. (2.8 BAR MIN/6.9 BAR MAX).

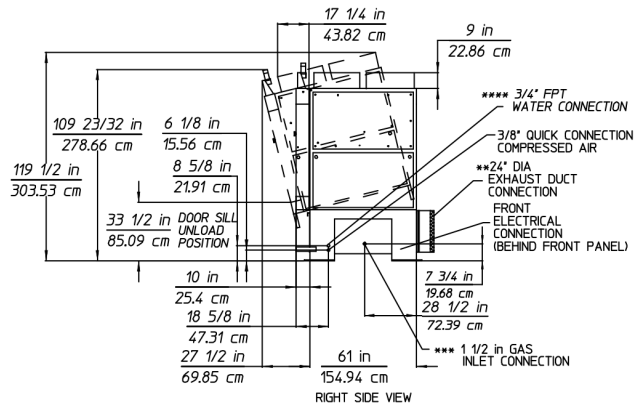
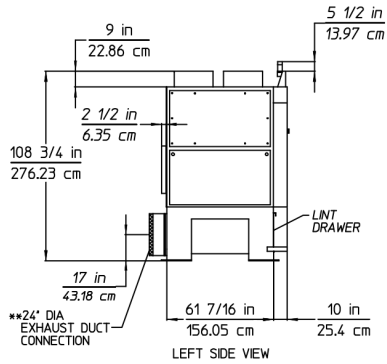
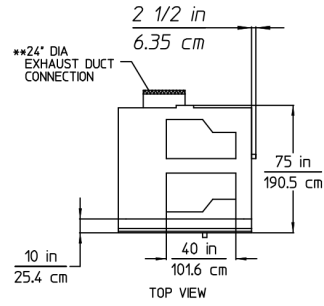
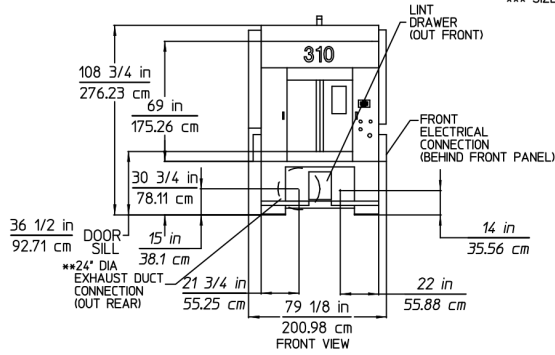


QY160050 1/17

88 Currant Road, Fall River, MA 02720-4781 • 508.678.9000 • www.adclaudry.com

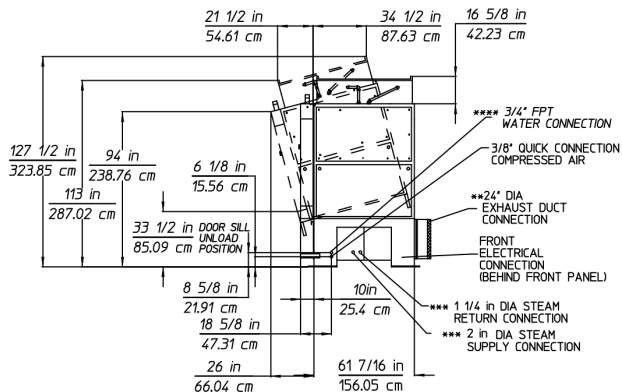
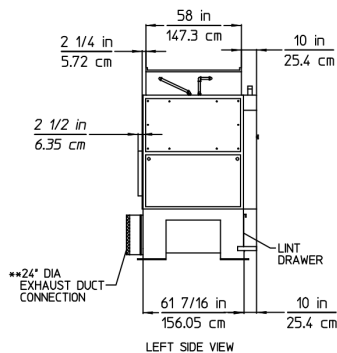
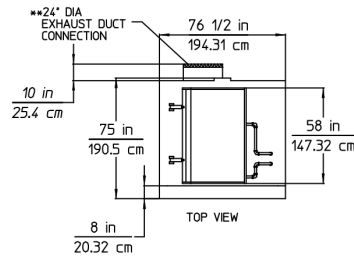
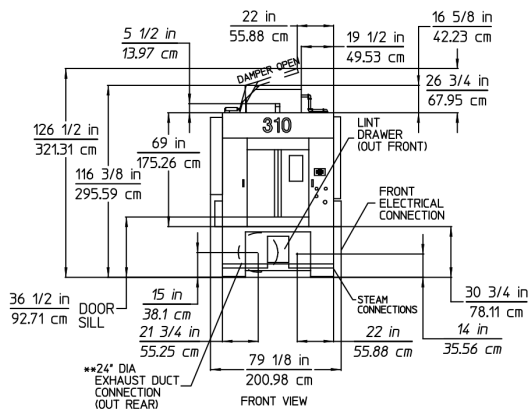
# AD-310 TILTING\* 1-DOOR/FORWARD-TILT GAS MODEL

- \* BOTH GAS AND STEAM TILTING UNITS MUST BE SUPPLIED WITH CLEAN, DRY, REGULATED AIR AT 80 PSI ± 10 PSI (5.52 BAR ± .69 BAR).
- \*\* DUCTWORK SIZE VARIES WITH INSTALLATION CONDITIONS. EXHAUST STATIC PRESSURE SHOULD NOT EXCEED 0.3" WATER COLUMN (0.74 mb).
- \*\*\* SIZE OF PIPING TO DRYER VARIES WITH INSTALLATION CONDITIONS. CONTACT FACTORY FOR ASSISTANCE.



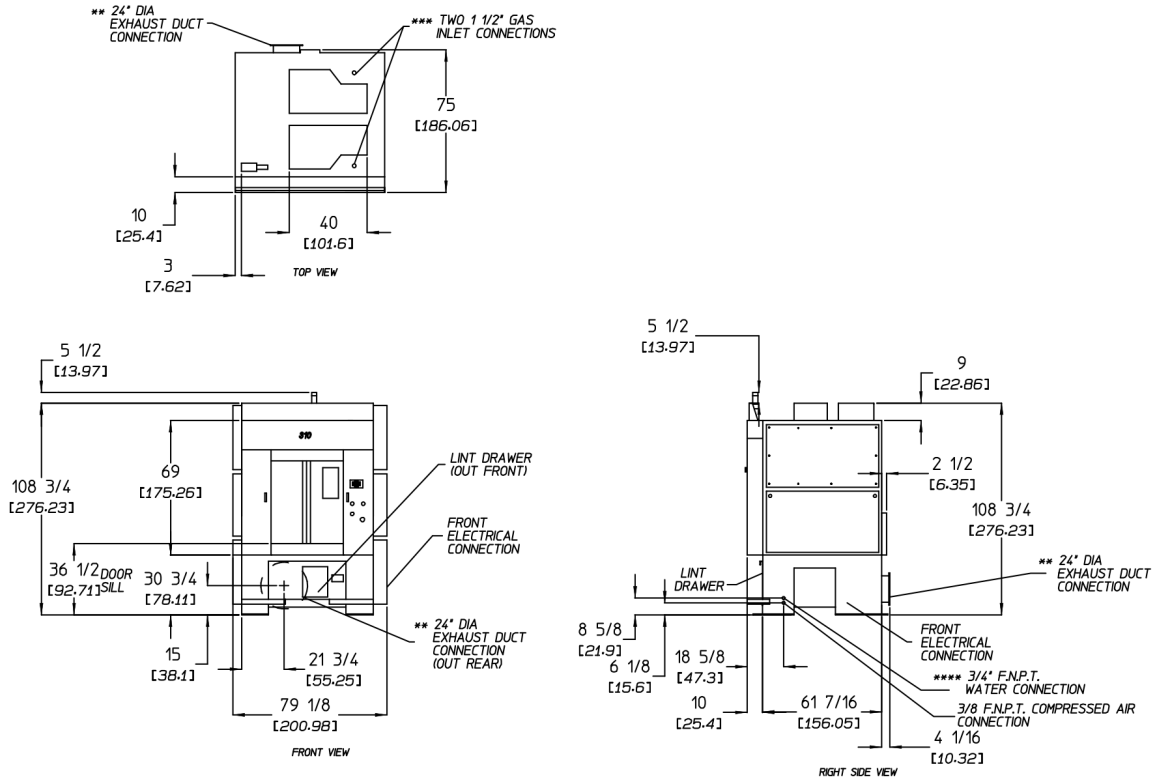
# AD-310 TILTING\* 1-DOOR/FORWARD-TILT STEAM MODEL

- \* BOTH GAS AND STEAM TILTING UNITS MUST BE SUPPLIED WITH CLEAN, DRY, REGULATED AIR AT 80 PSI ± 10 PSI (5.52 BAR ± .69 BAR).
- \*\* DUCTWORK SIZE VARIES WITH INSTALLATION CONDITIONS. EXHAUST STATIC PRESSURE SHOULD NOT EXCEED 0.3" WATER COLUMN (0.74 mb).
- \*\*\* SIZE OF PIPING TO DRYER VARIES WITH INSTALLATION CONDITIONS. CONTACT FACTORY FOR ASSISTANCE.



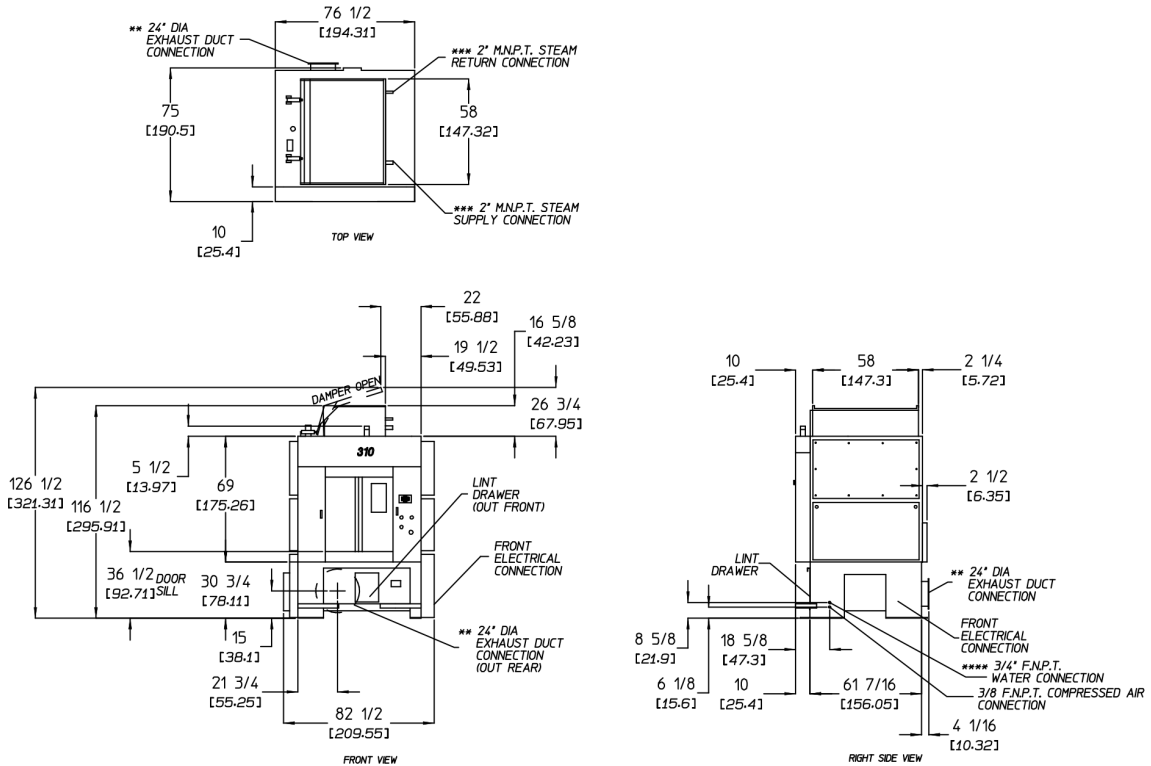
# AD-310\* NON-TILT GAS MODEL

- \* BOTH GAS AND STEAM TILTING UNITS MUST BE SUPPLIED WITH CLEAN, DRY, REGULATED AIR AT 80 PSI +/- 10 PSI (5.52 BAR +/- 0.62 BAR)
- \*\* DUCTWORK SIZE VARIES WITH INSTALLATION CONDITIONS. EXHAUST STATIC PRESSURE SHOULD NOT EXCEED 0.3" WATER COLUMN (0.74 mb).
- \*\*\* SIZE OF PIPING TO DRYER VARIES WITH INSTALLATION CONDITIONS. CONTACT FACTORY FOR ASSISTANCE.
- \*\*\*\* THE FIRE SUPPRESSION SYSTEM MUST BE SUPPLIED WITH WATER AT A PRESSURE OF 40 PSI MIN./100 PSI MAX. (2.8 BAR MIN./6.9 BAR MAX.).



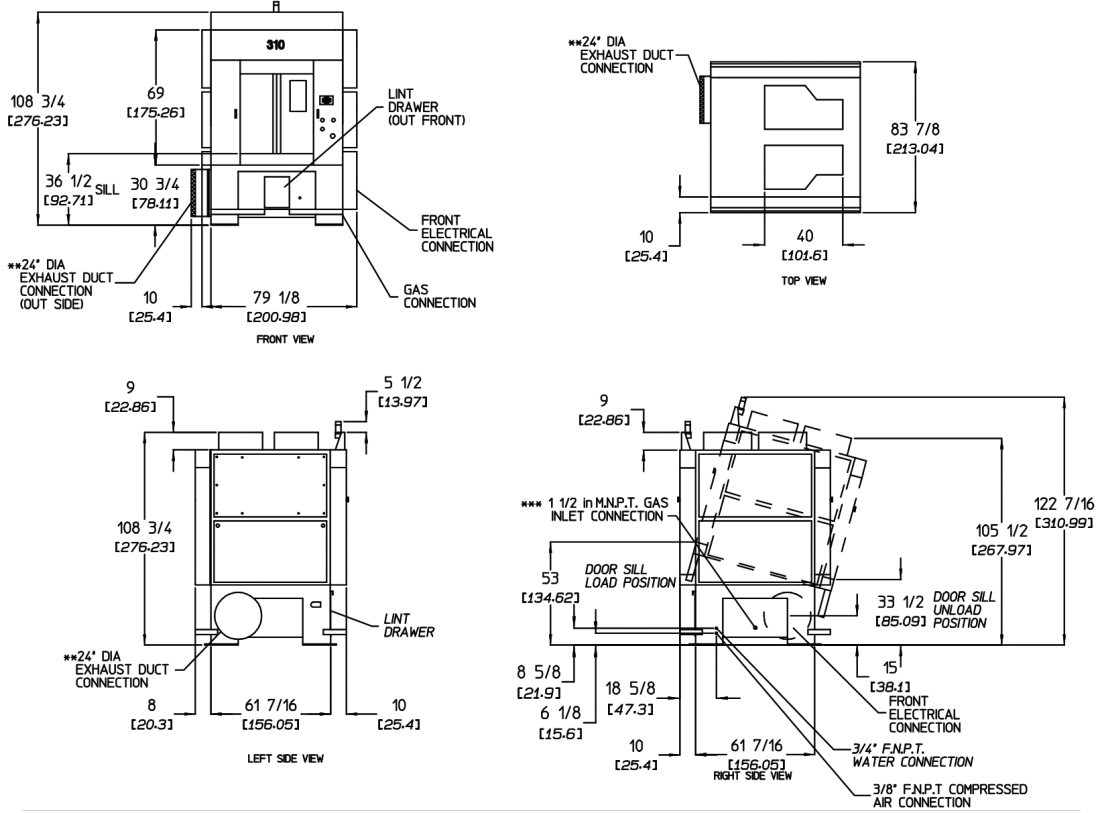
# AD-310\* NON-TILT STEAM MODEL

- \* BOTH GAS AND STEAM TILTING UNITS MUST BE SUPPLIED WITH CLEAN, DRY, REGULATED AIR AT 80 PSI +/- 10 PSI (5.52 BAR +/- 0.62 BAR)
- \*\* DUCTWORK SIZE VARIES WITH INSTALLATION CONDITIONS. EXHAUST STATIC PRESSURE SHOULD NOT EXCEED 0.3" WATER COLUMN (0.74 mb).
- \*\*\* SIZE OF PIPING TO DRYER VARIES WITH INSTALLATION CONDITIONS. CONTACT FACTORY FOR ASSISTANCE.
- \*\*\*\* THE FIRE SUPPRESSION SYSTEM MUST BE SUPPLIED WITH WATER AT A PRESSURE OF 40 PSI MIN./100 PSI MAX. (2.8 BAR MIN./6.9 BAR MAX.).



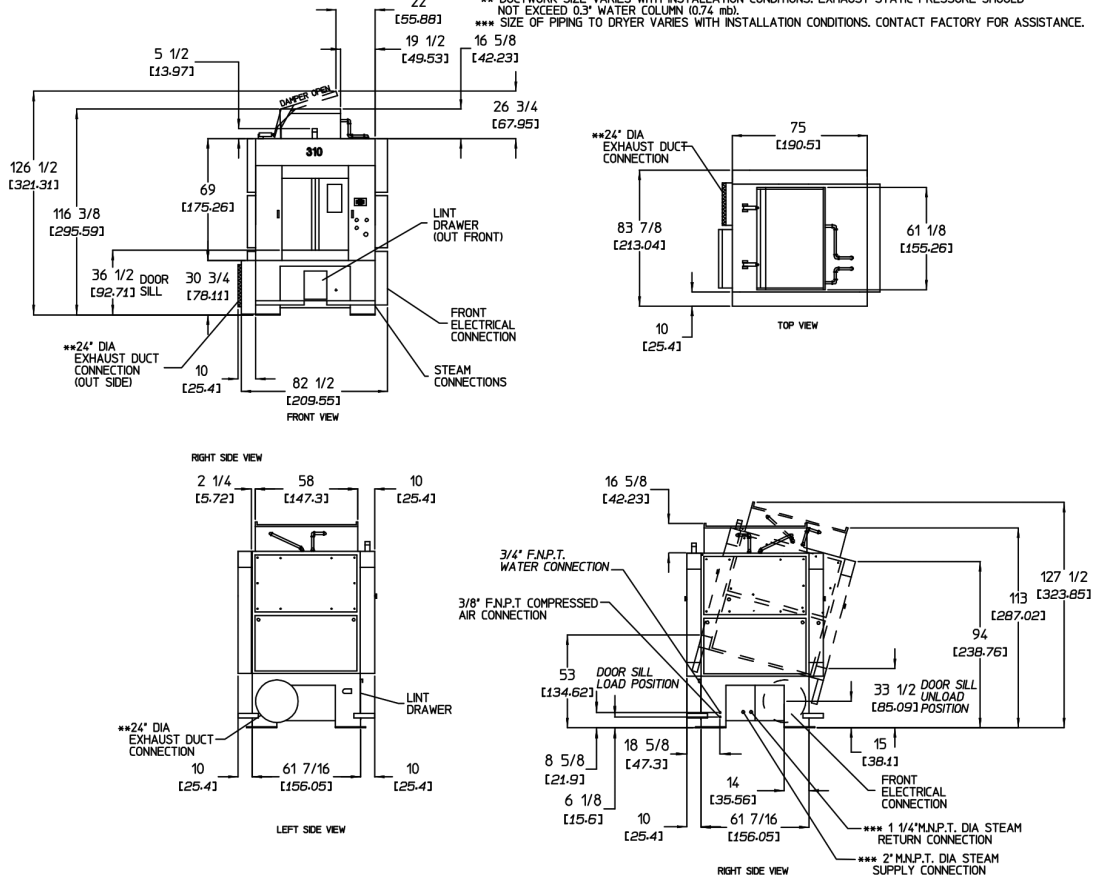
# AD-310 TILTING\* 2-DOOR/REAR-TILT GAS MODEL

- \* BOTH GAS AND STEAM TILTING UNITS MUST BE SUPPLIED WITH CLEAN, DRY, REGULATED AIR AT 80 PSI ± 10 PSI (5.52 BAR ± .69 BAR).
- \*\* DUCTWORK SIZE VARIES WITH INSTALLATION CONDITIONS. EXHAUST STATIC PRESSURE SHOULD NOT EXCEED 0.3" WATER COLUMN (0.74 mb).
- \*\*\* SIZE OF PIPING TO DRYER VARIES WITH INSTALLATION CONDITIONS. CONTACT FACTORY FOR ASSISTANCE.



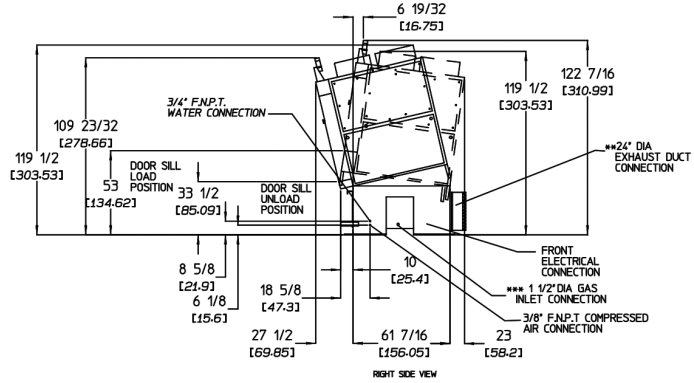
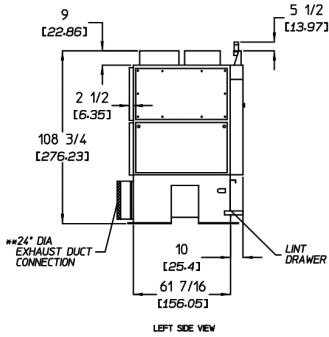
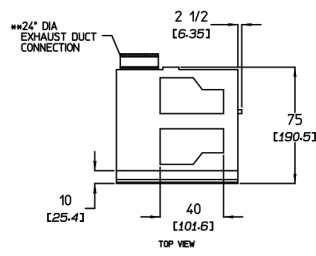
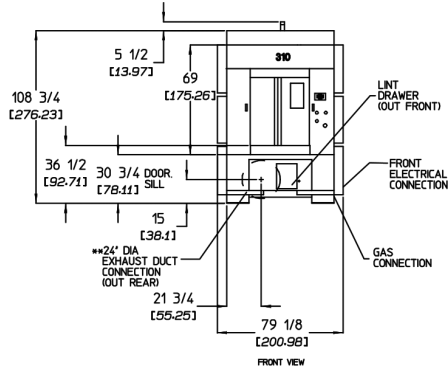
# AD-310 TILTING\* 2-DOOR/REAR-TILT STEAM MODEL

- \* BOTH GAS AND STEAM TILTING UNITS MUST BE SUPPLIED WITH CLEAN, DRY, REGULATED AIR AT 80 PSI ± 10 PSI (5.52 BAR ± .69 BAR).
- \*\* DUCTWORK SIZE VARIES WITH INSTALLATION CONDITIONS. EXHAUST STATIC PRESSURE SHOULD NOT EXCEED 0.3" WATER COLUMN (0.74 mb).
- \*\*\* SIZE OF PIPING TO DRYER VARIES WITH INSTALLATION CONDITIONS. CONTACT FACTORY FOR ASSISTANCE.



# AD-310 TILTING\* 1-DOOR / FORWARD- AND REAR-TILT GAS MODEL

- \* BOTH GAS AND STEAM TILTING UNITS MUST BE SUPPLIED WITH CLEAN, DRY, REGULATED AIR AT 80 PSI ± 10 PSI (5.52 BAR ± .69 BAR).
- \*\* DUCTWORK SIZE VARIES WITH INSTALLATION CONDITIONS. EXHAUST STATIC PRESSURE SHOULD NOT EXCEED 0.3" WATER COLUMN (0.74 mb).
- \*\*\* SIZE OF PIPING TO DRYER VARIES WITH INSTALLATION CONDITIONS. CONTACT FACTORY FOR ASSISTANCE.



DX 3407

# AD-310 TILTING\* 1-DOOR / FORWARD- AND REAR-TILT STEAM MODEL

- \* BOTH GAS AND STEAM TILTING UNITS MUST BE SUPPLIED WITH CLEAN, DRY, REGULATED AIR AT 80 PSI ± 10 PSI (5.52 BAR ± .69 BAR).
- \*\* DUCTWORK SIZE VARIES WITH INSTALLATION CONDITIONS. EXHAUST STATIC PRESSURE SHOULD NOT EXCEED 0.3" WATER COLUMN (0.74 mb).
- \*\*\* SIZE OF PIPING TO DRYER VARIES WITH INSTALLATION CONDITIONS. CONTACT FACTORY FOR ASSISTANCE.

